

HEAT-TIMER

INSTALLATION/OPERATING INSTRUCTIONS

VSP

A Variable Speed Pump Control

The VSP is a hydronic heating control. The temperature of the heating water is controlled by regulating the speed of a pump which injects water from a hot boiler loop (Primary loop) into a cooler heating loop (Secondary loop). As the speed of the pump increases, more hot water is sent into the Secondary loop, and the temperature of the heating water increases.

The VSP can be used as an outdoor reset control. When the outdoor temperature falls below an adjustable start point, the heating system is activated. The temperature of the Secondary loop water is then automatically regulated based on outdoor temperature. The outdoor reset function maintains constant and comfortable ambient building temperatures in all weather conditions.

The VSP can also be used as a set point control. In this mode of operation, the VSP will control the pump speed to hold a constant temperature (determined by the user) in the Secondary loop. The outdoor start temperature can be set to ON so the set point will be held regardless of outside temperature.

The VSP is equipped with a Primary loop sensor. This sensor monitors the temperature of the boiler return water. If the boiler return water falls below an adjustable temperature, the VSP can be configured to slow down the speed of the injection pump to help the boiler return water temperatures recover.

The VSP can be enabled or disabled from a standard thermostat or switch. Or, the VSP can reduce the temperature of the heating loop water when the building is not occupied or when occupants are sleeping.

Table of Contents

Piping	pg. 2
Piping Diagrams	pg. 3
Pipe Sizing	pg. 4
Control Installation	pg. 7
Display Chart	pg. 10
Operation	pg. 11
Troubleshooting	pg. 14

PIPING

PIPING OVERVIEW

- The Primary loop may have multiple injection loops or other takeoffs. However, the piping for each injection system must meet the requirements described below and shown on the next page.
- The Injection piping can be installed in either a horizontal or a vertical configuration.
- The pipe diameters of the Primary and Secondary loops may differ.
- The Injection Piping diameter must be at least one pipe size smaller than the smaller of the Primary or Secondary loop piping. For example, if the Primary loop diameter is 1 1/4" and the Secondary loop diameter is 1", then the diameter of the Injection piping must be 3/4" or smaller. See Sizing pages 4 and 5 for actual pipe size.

CAUTION: The Injection pump and pipe sizing should be performed by a qualified engineer or contractor.

- The Injection pump motor must be a fractional horsepower permanent split capacitor type. The Injection pump will control the amount of water pumped from the hot Primary loop into the Secondary loop.
- A globe type valve should be installed on the injection return piping. This helps to balance the system.
- The distance between the injection tees should be as short as possible. The maximum distance between the two tees can be no more than 4 times the pipe diameter. For instance, if the pipe diameter is 1" then the length of straight pipe between the two injection tees can not exceed 4".

INSTALLING THE WELLS

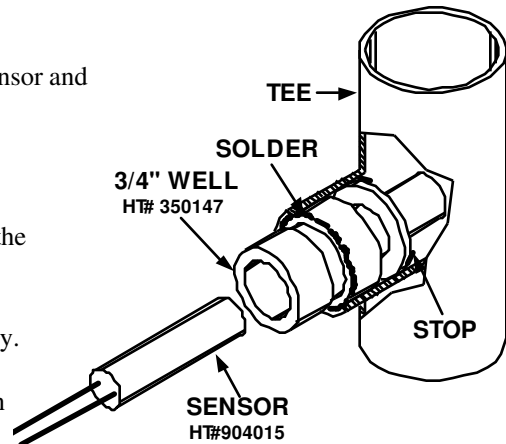
- Two wells are supplied with the VSP. One is for the Secondary loop sensor and one is for the Return water sensor.
- The wells should not be located more than 500' from the VSP controller.
- Both wells are 3/8" ID.
- The wells are designed to be installed in a tee with a 3/4" bull.
- Solder the well into the bull of the tee as shown. Slide the sensor into the well after the joint has cooled.

Secondary Loop Well

- This well should be located past the pump in the Secondary loop supply.
- The sensor in this well will measure the temperature of the Secondary loop. The VSP will control the Injection pump based on the information from this sensor.

Boiler Return Well

- The sensor in this well will measure the temperature of the water returning to the boiler.
- If the sensor is installed, it will allow the control to reduce the demand of the Secondary loop to help speed boiler recovery in the event of low boiler return temperatures (see Low Return pg. 13).
- The VSP can be configured to control without this sensor input (see NOTE in Low Return pg. 13). It is not necessary to install this well if the input will not be used.
- The well should be located in the boiler return of the Primary loop after all returns.



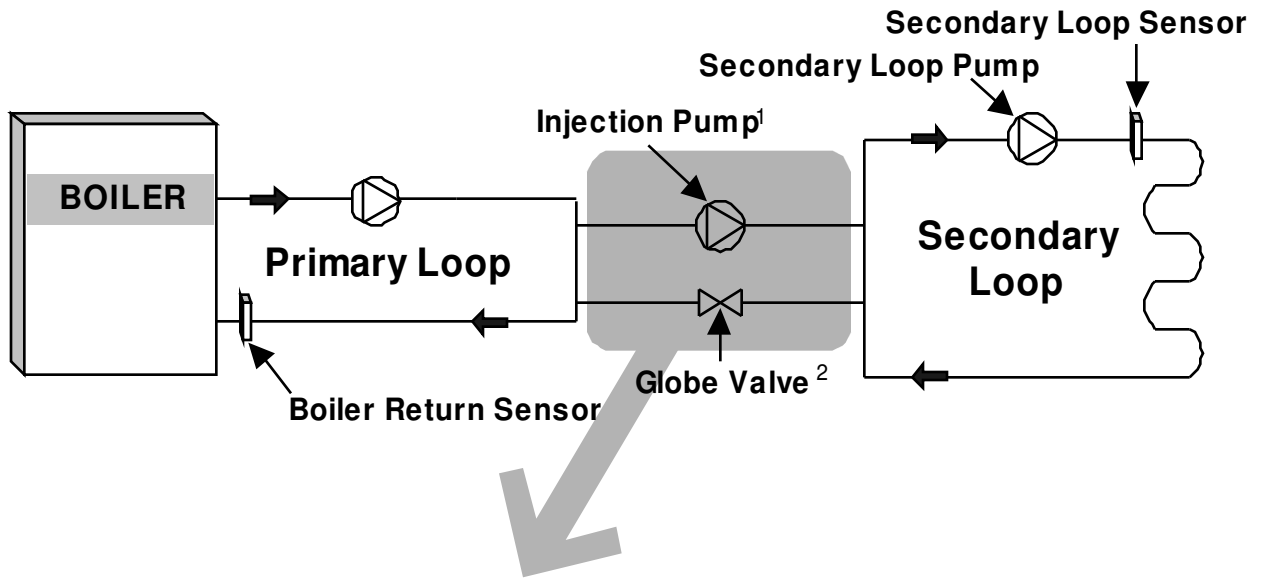
HORIZONTAL PIPING CONFIGURATION

- The Injection piping can be installed horizontally as shown on the next page.
- The Injection supply piping should run horizontally from the Primary to the Secondary loop.
- On the Injection return piping it is necessary to install a heat trap to prevent heat from the Primary loop entering the Secondary loop when the Injection pump is not running.
- The return piping must drop down vertically at least 18" and then rise back up vertically at least 18".

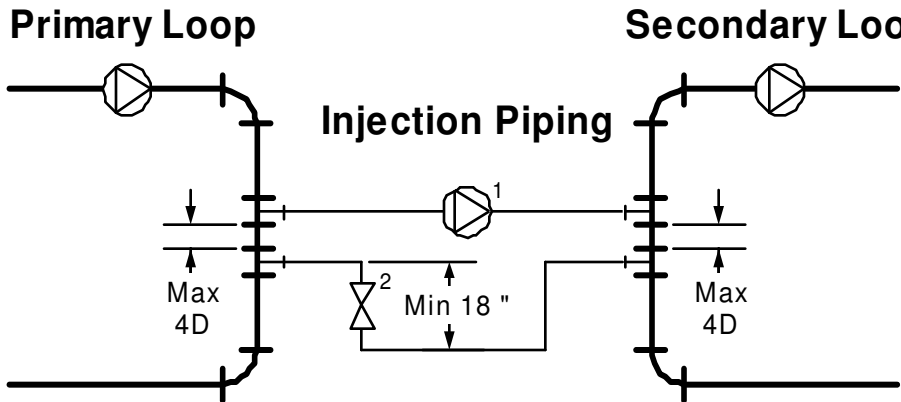
VERTICAL PIPING CONFIGURATION

- The Injection piping can be installed vertically as shown on the next page.
- The Primary loop must be at least 18" vertically above the Secondary loop.

Injection System Components



Horizontal Piping Detail



Max 4D

Maximum length of pipe between tees should not exceed 4 times the pipe diameter

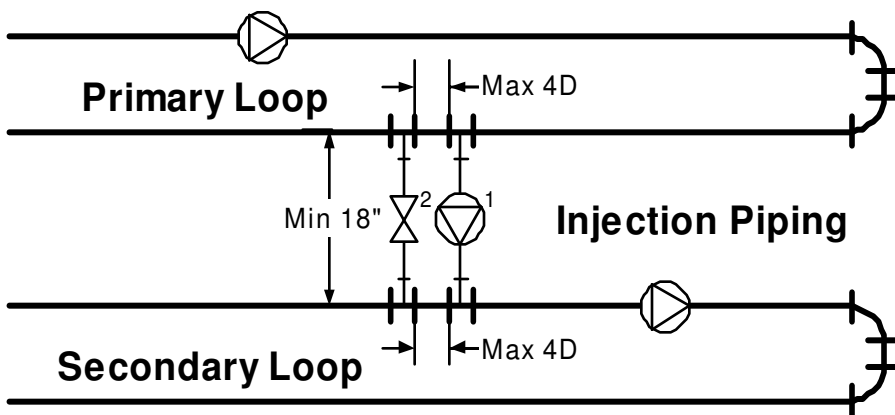
Min 18"

Minimum vertical drop of 18 inches on heat trap or between the Primary and Secondary loops

Pipe Sizing

The Injection piping diameter must be at least one pipe size smaller than the smaller of the Primary or Secondary loop piping. See Sizing Charts on pages 4 and 5.

Vertical Piping Detail



Primary and Secondary pipe diameters may differ

Injection Pump¹

Pump motor type must be fractional horsepower permanent split capacitor

Globe Valve²

Balances the heating system

CAUTION: The Injection pump and pipe sizing should be performed by a qualified engineer or contractor.

INJECTION PIPE AND PUMP SIZING CHARTS

To determine the proper Injection Piping Size and appropriate pump, it is necessary to know the following four items:

Primary Loop Temperature - This is the temperature the Primary loop will maintain.

Secondary Loop Temperature - This is the design temperature for the Secondary loop. If an outdoor reset function is being employed, this is the required temperature of the Secondary loop under maximum load.

Delta T of the Secondary Loop - This is the design drop in temperature through the Secondary loop. In most radiant heat applications, the Delta T is 10. Other types of radiation, such as baseboard, have a higher design Delta T.

Maximum Injection BTUs - This is the maximum heat requirement of the Secondary loop. The Maximum Injection BTUs is based on the Injection pump running at the highest speed. As the pump speed is reduced, fewer BTUs will be delivered to the system.

EXAMPLE:

- Primary Loop Temperature **140°F**
- Secondary Loop Temperature **100°F**
- Delta T Secondary Loop **10°F**
- Maximum BTUs Required **200,000**

First calculate the Primary Loop Temperature minus the Secondary Loop Temperature:

140 - 100 = **40**

The Delta T of the Secondary Loop is **10**

Checking the first chart (*Pipe Size 1/2", Globe Valve 20%*) the intersection of the row marked **40** (Primary - Secondary loop temp) and the column marked **10** (Delta T) provides **50,000** as the maximum amount of BTUs. This is too low. Move on to the next chart.

Checking the second chart (*Pipe Size 1/2", Globe Valve 100%*) the intersection of the two values provides **112,500** as the maximum amount of BTUs. This is too low. Move on to the next chart.

Checking the third chart (*Pipe Size 3/4", Globe Valve 100%*) the intersection of the two values provides **212,500** as the maximum number of BTUs. This is just slightly more than the required Maximum BTU value. Use 3/4" Injection piping with any of the following pumps: Taco 007, Grundfos 15-42, B&G NRF22.

Injection Piping Size 1/2" Globe Valve Opening 20%		Delta T of Secondary Loop			Maximum Injection BTUs	Typical Pump Models: Taco 007 Grundfoss 15-42 B&G NRF22
		10	15	20		
Primary Loop Temperature	100	110,000	115,000	120,000		
	80	90,000	95,000	100,000		
minus	60	70,000	75,000	80,000		
	40	50,000	55,000	60,000		
Secondary Loop Temperature	20	30,000	35,000	40,000		
	10	20,000	25,000	30,000		

Injection Piping Size 1/2" Globe Valve Opening 100%		Delta T of Secondary Loop			Maximum Injection BTUs	Typical Pump Models: Taco 007 Grundfoss 15-42 B&G NRF22
		10	15	20		
Primary Loop Temperature	100	247,500	258,750	270,000		
	80	202,500	213,750	225,000		
minus	60	157,500	168,750	180,000		
	40	112,500	123,750	135,000		
Secondary Loop Temperature	20	67,500	78,750	90,000		
	10	45,000	56,250	67,500		

**Injection Piping Size 3/4"
Globe Valve Opening 100%**

		Delta T of Secondary Loop			
		10	15	20	
Primary Loop	100	467,500	488,750	510,000	Maximum Injection BTUs
Temperature	80	382,500	403,750	425,000	
minus	60	297,500	318,750	340,000	
	40	212,500	233,750	255,000	
Secondary Loop	20	127,500	148,750	170,000	
Temperature	10	85,000	106,250	127,500	

Typical
Pump Models:
Taco 007
Grundfoss 15-42
B&G NRF22

**Injection Piping Size 1"
Globe Valve Opening 100%**

		Delta T of Secondary Loop			
		10	15	20	
Primary Loop	100	715,000	747,500	780,000	Maximum Injection BTUs
Temperature	80	585,000	617,500	650,000	
minus	60	455,000	487,500	520,000	
	40	325,000	357,500	390,000	
Secondary Loop	20	195,000	227,500	260,000	
Temperature	10	130,000	162,500	195,000	

Typical
Pump Models:
Taco 007
Grundfoss 15-42
B&G NRF22

**Injection Piping Size 1 1/4"
Globe Valve Opening 100%**

		Delta T of Secondary Loop			
		10	15	20	
Primary Loop	100	1,155,000	1,207,500	1,260,000	Maximum Injection BTUs
Temperature	80	945,000	997,500	1,050,000	
minus	60	735,000	787,500	840,000	
	40	525,000	577,500	630,000	
Secondary Loop	20	315,000	367,500	420,000	
Temperature	10	210,000	262,500	315,000	

Typical
Pump Models:
Taco 0010
Grundfoss 26-64

**Injection Piping Size 1 1/2"
Globe Valve Opening 100%**

		Delta T of Secondary Loop			
		10	15	20	
Primary Loop	100	1,760,000	1,840,000	1,920,000	Maximum Injection BTUs
Temperature	80	1,440,000	1,520,000	1,600,000	
minus	60	1,120,000	1,200,000	1,280,000	
	40	800,000	880,000	960,000	
Secondary Loop	20	480,000	560,000	640,000	
Temperature	10	320,000	400,000	480,000	

Typical
Pump Models:
Taco 0012
Grundfoss 43-75

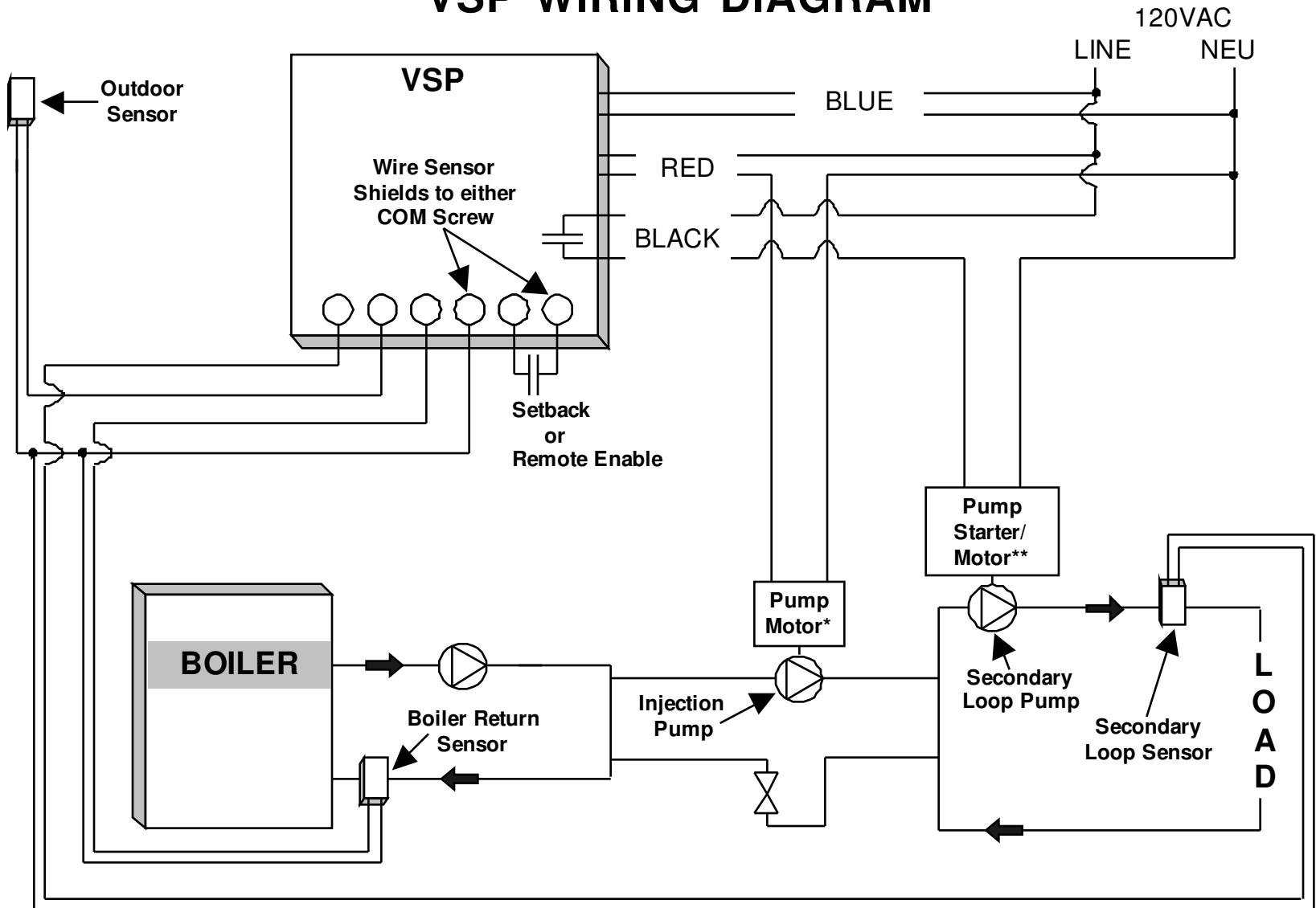
**Injection Piping Size 2"
Globe Valve Opening 100%**

		Delta T of Secondary Loop			
		10	15	20	
Primary Loop	100	2,310,000	2,415,000	2,520,000	Maximum Injection BTUs
Temperature	80	1,890,000	1,995,000	2,100,000	
minus	60	1,470,000	1,575,000	1,680,000	
	40	1,050,000	1,155,000	1,260,000	
Secondary Loop	20	630,000	735,000	840,000	
Temperature	10	420,000	525,000	630,000	

Typical
Pump Models:
Taco 0012
Grundfoss 43-75

CAUTION: Sizing Charts are based on Industry Standards. Values are approximations only. Actual piping arrangements may affect outputs. The correct pipe and pump sizes for any application should be performed by a qualified engineer or contractor.

VSP WIRING DIAGRAM



* Must be connected directly to 120VAC motor. NO PUMP STARTER.

** If Pump Starter/Motor is not rated for 120VAC power, contact the factory for wiring directions

CONTROL INSTALLATION

MOUNTING THE CONTROL

- The VSP is designed to mount on a 1900 (4"x4") electrical box.
- If the VSP is to be panel mounted, or if additional room is needed for wiring, an extension kit is available (HT #908520).
- Locate the VSP in a convenient location near the variable speed pump. The VSP can not be mounted more than 500' from any sensor location.
- Mount the VSP away from excessive heat or cold. Ambient operating temperature is from 20 to 120°F.
- After completing all the wiring connections (see opposite page) use the two screws provided to mount the VSP to the 1900 box.

INSTALLING THE SENSORS

- All three sensors are interchangeable.
- The sensor wires can be extended up to 500' from the controller by splicing with shielded two conductor 18 gauge wire.. Do not connect the shield at the sensor end. Do not run wires in conduit with line voltage.
- The Secondary loop sensor should be inserted in the well as described on pg. 2.
- The Boiler return water sensor, if used, should be inserted in the well as described on pg. 2.
- The Outdoor sensor should be mounted in the shade on the north side of the building (never in direct sunlight). Keep the sensor approximately 10' above ground level and away from doors, windows, exhaust fans, or other heat sources.

WIRING THE SENSORS

- The sensor wires have no polarity. Either wire from a sensor can be connected to the appropriately marked VSP screw terminal (see pg. 11) or the sensor common marked *COM*.
- Either or both screw terminals marked *COM* can be used as the sensor common. They are interchangeable.
- If the sensor wires have been extended, connect the shield to a *COM* terminal.
- The two wires from the Secondary loop sensor must be connected to the VSP front screws marked *SEC* and *COM*.
- The two wires from the Outdoor sensor must be connected to the VSP front screws marked *OUT* and *COM*.
- The two wires from the Boiler return water sensor, if used, must be connected to the VSP front screws marked *RTN* and *COM*. (If not using this sensor, see the NOTE in Low Return pg. 13).

WIRING THE VSP POWER

- Attach 120VAC line voltage to the two Blue wires extending from the back of the VSP.
- Use wire nuts, or wrap the connections with electrical tape.
- Class 1 voltages must enter the 1900 box through a different opening from any Class 2 wiring.

WIRING THE INJECTION PUMP

- The Red wires provide a solid state switching output to the Injection pump.
- The Injection pump motor must be a fractional horsepower permanent split capacitor type motor.
- The output is designed for AC power only. The maximum rating for the injection pump output is 3A 1/4HP.
- The Red wires must be directly in series with the pump power (see pg. 6). The signal can not be wired through any pilot duty relays or pump starters.
- Safety limit switches or HOA switches must be wired in series with the pump power.
- Use wire nuts, or wrap the connections with electrical tape.
- Class 1 voltages must enter the 1900 box through a different opening from any Class 2 wiring.

Warning: This Heat-Timer® control is strictly an operating control; it should never be used as a primary limit or safety control. All equipment must have its own certified limit and safety controls required by local codes. The installer must verify proper operation and correct any safety problems prior to the installation of this Heat-Timer control.

WIRING THE SECONDARY LOOP PUMP

- The Black wires provide a Normally Open (N.O) relay output for the Secondary loop pump.
- The Black wires are a dry contact output only. They do not source any power.
- The Secondary loop pump relay is rated at 8A 1/8HP.
- Use wire nuts, or wrap the connections with electrical tape.
- Class 1 voltages must enter the 1900 box through a different opening from any Class 2 wiring.
- Wire the N.O. dry contacts to the pump starter.

WIRING THE EXT INPUT

- The *EXT* and *COM* terminals can only accept a dry contact input. **If power is applied across these terminals, the VSP may be damaged.**
- The EXT Input can be configured to provide one of the following two functions:

Setback Mode

- The EXT Input can be used to accept an input from an external clock to lower the temperature of the Secondary loop when the building is not occupied, or when the occupants are sleeping.
- When the *EXT* to *COM* terminals are open, the VSP will run normally.
- When the *EXT* to *COM* terminals are shorted together the temperature of the Secondary loop will be reduced by the number of degrees of *Setback* (see pg. 13).

Thermostat Mode

- The EXT Input can be used to accept an input from a thermostat to activate the heating system.
- When the *EXT* to *COM* terminals are open, the VSP will not be active. Both pump outputs will be disabled.
- When the *EXT* to *COM* terminals are shorted together, the VSP will activate the heating system if there is a call for heat (based on *System Start* setting described on pg. 11).

SETTING THE OPERATING MODES

- Whenever the VSP is powered up, it will display the software version number and then the current operating modes. Each display will remain on the screen approximately 5 seconds. If the modes are correct, there is no need to make any adjustments.
- Once the modes have been set for a particular application, they will be retained in memory and will not need to be reset.
- Note that if you do change an operating mode, you will need to reset all other settings.
- An operating mode can only be changed when it is being displayed in the start-up sequence. To restart the sequence it is necessary to remove power to the VSP and then power it again.
- Set the operating modes as described in sequence below:

°F or °C - Fahrenheit or Celsius Temperature Operation

- If the display shows °F then the VSP will operate in Fahrenheit degrees.
- If the display shows °C then the VSP will operate in Celsius degrees.
- To change the mode, hold down the center button while pushing either the *UP* or *DOWN* button to toggle between the displays of °F and °C.
- When the correct temperature mode is selected, release the buttons and wait approximately 5 seconds.

rSt or SP - Reset or Set Point Operation

- If the display shows *rSt* then the VSP will run with as an outdoor reset control (see pg. 12). As it gets colder outside, the VSP will automatically increase the temperature of the Secondary loop.
- If the display shows *SP* then the VSP will hold the selected set point temperature in the Secondary loop. To select the *Set Point*, see chart pg. 10.
- To change the mode, hold down the center button while pushing either the *UP* or *DOWN* button to toggle between the displays of *rSt* and *SP*.
- When the correct mode is selected, release the buttons and wait approximately 5 seconds.

Sb or thr - Setback or Thermostat Mode

- If the display shows *Sb* then the VSP will use the EXT Input (see above) for an external clock or switch to lower the temperature of the Secondary loop.
- If the display shows *thr* then the VSP will use the EXT Input for a thermostat. When the thermostat input is open, both pump outputs will be disabled.
- To change the mode, hold down the center button while pushing either the *UP* or *DOWN* button to toggle between the displays of *Sb* and *thr*.
- When the correct mode is selected, release the buttons and wait approximately 5 seconds.

no or YES - Pump Activation every 24 hours

- If the display shows *YES* then the VSP will activate both the Secondary Loop pump and the Injection pump for 5 minutes every 24 hours. Certain local codes (generally only in Canada) require this.
- If the display shows *no* then the VSP will only run the pumps when the system requires it. This setting will prevent hot water from being pumped into the Secondary loop when there is no call for heat.
- To change the mode, hold down the center button while pushing either the *UP* or *DOWN* button to toggle between the displays of *YES* and *no*.
- When the correct mode is selected, release the buttons and wait approximately 5 seconds.
- If any changes were made to the operating modes, the display will flash. Then the VSP will display the temperature of the sensor in the Secondary loop.


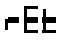

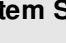






INITIAL SETTINGS FOR A RESET CONTROL (see *rSt* previous page)

- After setting the operating mode, the VSP will display the temperature of the Secondary loop. This is the default display.
- To see and/or adjust the other parameters, press then release the center button marked *PRESS TO READ*. The VSP will display a code to indicate which parameter will be displayed next. After two seconds, the value of the parameter will be shown.
- For those parameters where the values can be set (shown on chart pg. 10), press the *UP* or *DOWN* button to change the value while it is being displayed. Holding down the *UP* or *DOWN* button will cause the value to change more quickly.
- The *System Start (StS)* temperature setting is the outdoor temperature above which the VSP will not give heat. Start with the factory default setting of 60°F.
- The *reSet Ratio (rSt)* determines how quickly the water temperature in the Secondary loop will increase as the outdoor temperature decreases (see pg. 12). Lower numbered curves result in lower water temperatures. The factory default curve is 7 or (1:1). This means for every degree the outdoor temperature falls (below the *System Start* temperature) the Secondary loop temperature will be increased one degree. For baseboard heat, start with 7. For most radiant tubing applications, start with 3.
- The *Offset (OFF)* value is added or subtracted to the calculated water temperature for the Secondary loop. It effectively moves the starting point of the reset curves up and down by the number of degrees selected (see pg. 12). Start with the factory default setting of 0.
- The *LOw return (LOr)* comes factory set to *OFF*. This is the correct setting if you are not using the Boiler return water sensor. If you do use the Boiler return sensor, then the setting must be set to the boiler manufacturer's specification.
- The *High Supply (Hi)* value must be adjusted to the maximum temperature value specified for the Secondary loop components.
- The *Setback (Sb)* value determines how many degrees the Secondary loop temperature will be decreased when the EXT Input in the Setback mode (see pg. 13) is shorted. Start with the factory default setting of 20°F.

INITIAL SETTINGS FOR A SET POINT CONTROL (see *SP* previous page)

- After setting the operating mode, the VSP will display the temperature of the Secondary loop. This is the default value for the VSP display.
- To see and/or adjust the other parameters, press then release the center button marked *PRESS TO READ*. The VSP will display a code to indicate which parameter will be displayed next. After two seconds, the value of the parameter will be shown.
- For those parameters where the values can be set (shown on chart pg. 10), press the *UP* or *DOWN* button to change the value while it is being displayed. Holding down the *UP* or *DOWN* button will cause the value to change more quickly.
- The *System Start (StS)* temperature setting is the outdoor temperature above which the VSP will not give heat. Set to *ON* if the system set point should be held regardless of outside temperature.
- The *reSet Ratio (rSt)* and *Offset (OFF)* values have no effect and do not need to be adjusted.
- The *LOw return (LOr)* comes factory set to *OFF*. This is the correct setting if you are not using the Boiler return water sensor. If you do use the Boiler return sensor, then the setting must be set to the boiler manufacturer's specification.
- The *Set Point (SP)* should be set to the desired temperature for the Secondary loop.
- The *Setback (Sb)* value determines how many degrees the Secondary loop temperature will be decreased when the EXT Input in the Setback mode (see pg. 13) is shorted. Start with the factory default setting of 20°F.

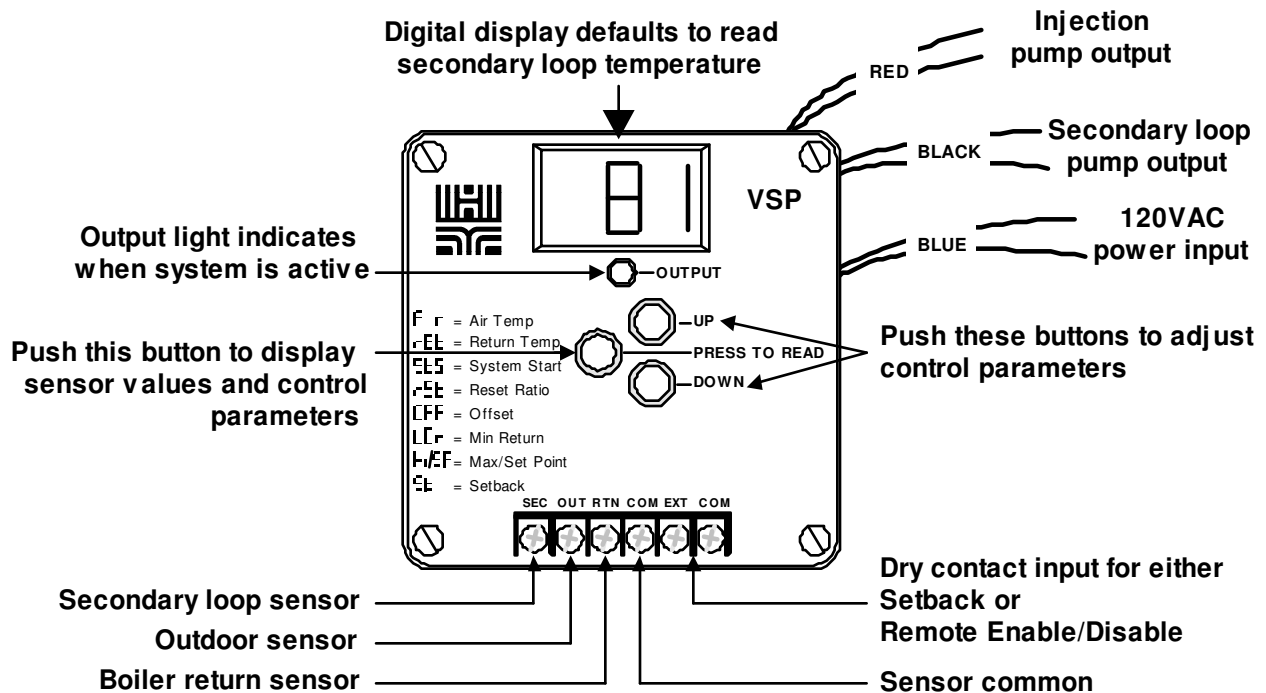
DISPLAY VALUES and ADJUSTMENTS

PRESS LEFT BUTTON	VSP DISPLAY	Release center button to read value If value needs adjustment, press the UP or DOWN button For large adjustments hold either button down
Once	 Outdoor Temp¹	This is the temperature of the outdoor sensor. If it does not read correctly, check the Troubleshooting guide.
Twice	 Return Temp¹	This is the temperature of the water returning to the boiler. If this sensor is not installed it will display OPN . If the sensor is installed and does not read correctly, check the Troubleshooting guide.
3 times	 System Start	This is the outdoor temperature below which the VSP will activate the Secondary loop pump and control the variable speed pump. If the ON setting is selected, the VSP will activate or control both pumps regardless of outdoor temperature. If the OFF setting is selected, the VSP will never activate either pump.
4 times	 Reset Ratio	Set Point Operation: No Effect Reset Operation: The higher the curve number selected, the faster the temperature of the Secondary loop will be increased as outdoor temperature decreases (for Reset curves see pg. 12).
5 times	 Offset	Set Point Operation: No Effect Reset Operation: The Offset will adjust the calculated Secondary loop temperature (determined by the outdoor temperature, Reset Ratio and Setback) by the amount displayed.
6 times	 Low/Min Return	No Return Water Sensor: Set to OFF With Return Water Sensor: Set to the boiler manufacturer's specification for minimum boiler return temperature.
7 times	 Hi/Max Supply	Reset Operation ONLY: This is the highest Secondary loop water temperature the VSP will maintain. IMPORTANT: The VSP is not a safety control. All appropriate safety controls must be installed.
7 times	 Set Point	Set Point Operation ONLY: This is the Secondary loop water temperature the VSP will maintain. IMPORTANT: The VSP is not a safety control. All appropriate safety controls must be installed.
8 times	 Setback	This is the number of degrees the Secondary loop water temperature will be lowered if the VSP is put into Setback.
9 times Default²	 Secondary Loop Temp¹	This is the temperature reading of the Secondary loop sensor. If it does not read correctly, check the Troubleshooting guide.

¹ These are sensor readings. They can not be adjusted.

² The display of each setting will remain active for approximately 20 seconds after the last adjustment. Then the display will revert to the default reading.

OPERATION



OUTPUT LIGHT

The output light has the following three indications:

Light Off

The heating system is not active. Neither the Secondary loop pump nor the Injection pump output are active.

Light On

The heating source output is active. The Secondary loop pump relay is energized, and the speed of the Injection pump is being controlled.

Flashing

The Secondary loop pump relay is energized to circulate the water through the loop. The Injection pump output is not active. This would occur when there is a call for heat, but the temperature of the Secondary loop is satisfied so none of the hot water from the Primary loop is needed in the Secondary loop.

SYSTEM START TEMPERATURE

The *System Start (StS)* is the outdoor temperature below which the Secondary loop pump will be activated to circulate water through the loop and the Injection pump speed will be regulated to control the temperature of the Secondary loop water. When the outdoor temperature rises above this point, the Secondary Pump relay (BLACK wires) and the Injection pump output (RED wires) will be off. The *System Start* is adjustable from 30°F to 70°F. The *System Start* also has two special modes:

OFF

When the *System Start* is set to *OFF*, neither the Secondary loop pump nor the Injection pump will run. This can be used for testing or to disable heat to the particular loop. **Do not** use this feature to turn off pumps for maintenance. For this, use the safety disconnect.

ON

When the *System Start* is set to *ON*, the Secondary loop pump will run regardless of outdoor temperature. The Injection pump speed will be regulated to control the temperature of the Secondary loop water temperature.

Follow the chart on pg. 10 to adjust the *System Start*.

RESET RATIO

Set Point Operation:

reSet ratio (rSt) has no effect.

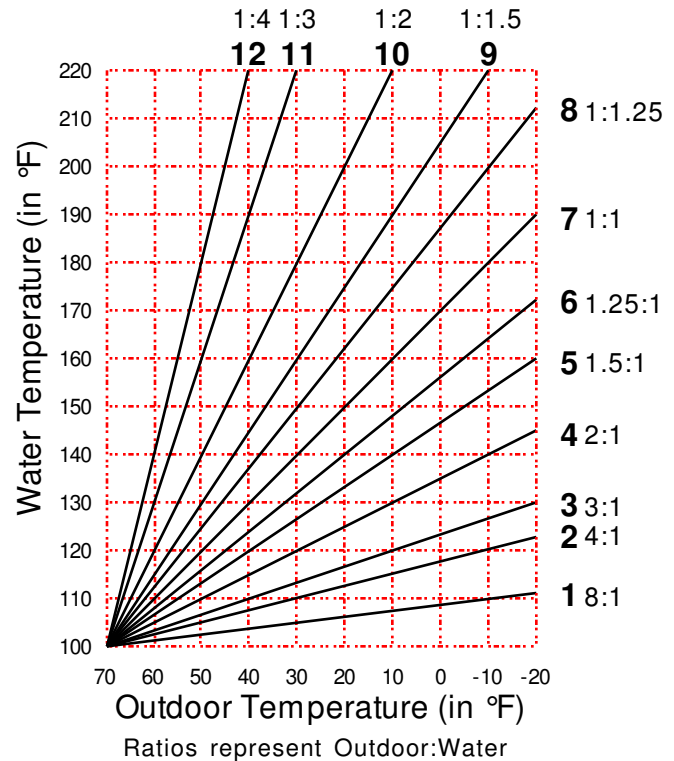
Reset Operation:

The *reSet ratio (rSt)* determines how the Secondary loop water temperature will vary with outside temperature. With any ratio, the colder it is outside, the hotter the temperature of the Secondary loop. At a 1:1 reset ratio (Curve 7) a 1 degree drop in outdoor temperature will increase the Secondary loop temperature by 1 degree; at the 3:1 ratio (Curve 3) an outdoor temperature drop of 3 degrees will increase the Secondary loop temperature by 1 degree.

The ratios are adjustable from 8:1 (Curve 1) for the least amount of heat to 1:4 (Curve 12) for the most amount of heat (see side chart). With most baseboard heating applications, a 1:1 (Curve 7) setting is a good place to start. Radiant heat applications usually require a lower curve.

Adjust the *reSet ratio* in cold weather. If the ambient space temperatures are too cold in cold weather, increase the curve number by one. If the space temperatures are too warm in cold weather, decrease the curve number by one. After making a change to the ratio, wait 24 hours to evaluate the impact of the change. See chart pg. 10 to adjust the *reSet ratio*

Reset Ratio Curves



OFFSET

Set Point Operation:

OFFset (OFF) has no effect.

Reset Operation:

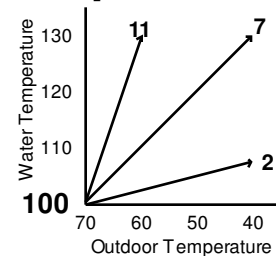
The *OFFset (OFF)* allows you to adjust the starting points of the Reset Ratio curves (see side charts). When the *OFFset* is changed, that change is always directly added or subtracted to the calculated water temperature. For instance, if the calculated Secondary loop water temperature were 130°F and the *OFFset* were changed from 0° to 10° (an increase of 10°), then the calculated water temperature would immediately change to 140°F.

Adjust the *OFFset* in mild weather. If the ambient space temperatures are warm in mild weather, decrease the *OFFset*. If the space temperatures are cold in the mild weather, increase the *OFFset*. The rule of thumb for baseboard radiation is to change the *OFFset* by 4° for every degree you wish to change the space temperatures. For radiant heat applications, change the *OFFset* by 1° or 2° for every degree you wish to change the space temperature. See chart on 10 to adjust the *OFFset*.

Offset Examples

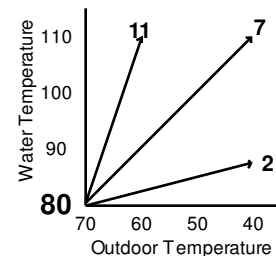
0° Offset

The ratios begin at 100° Water Temperature.



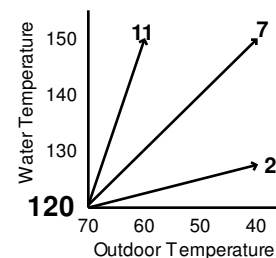
-20° Offset

The ratios begin at 80° Water Temperature.



+20° Offset

The ratios begin at 120° Water Temperature.



LOW (MINIMUM) RETURN

The *Low return (Lor)* setting is designed to help speed recovery in the event of low boiler return water temperatures. The boiler manufacturer may require a minimum return water temperature to protect their boiler. Check with the boiler manufacturer for the specified temperature.

If the VSP registers that the temperature of the water returning to the boiler is below the *Low return*, the VSP will immediately halve the Injection pump speed and not allow the speed to increase again until the return temperature rises to the *Low return* setting. This means that the VSP will decrease the load on the Primary loop, but will still provide some heat to the Secondary loop.

NOTE: If a minimum return water temperature is not specified by the boiler manufacturer, or if the Secondary loop size is such that it will have little impact on the Primary loop temperature, the Boiler Return sensor (see pg. 2) may not be installed. In that case it is necessary to adjust the *Low return* setting to *OFF* (see chart on pg. 10). Otherwise, set the *Low return* to the boiler manufacturer's specification.

HIGH (MAXIMUM) SUPPLY (Reset Operation ONLY)

The *High Supply (Hi)* setting is the maximum Secondary loop temperature the VSP will maintain. In some applications, it may be necessary to limit the temperature of the water going out to the Secondary loop. This may be done for comfort or because the Secondary loop components or flooring may be damaged by high temperatures.

The *High Supply* should never be set higher than the maximum value specified by either the Secondary loop component or the flooring manufacturer. Adjust the *High Supply* as shown on the chart pg. 10.

SET POINT (Set Point Operation ONLY)

The *Set Point (SP)* setting is the Secondary loop temperature the VSP will maintain whenever there is a call for heat.

The *Set Point* should never be set higher than the maximum value specified by either the Secondary loop component or the flooring manufacturer. Adjust the *Set Point* as shown on the chart pg. 10.

SETBACK

The *Setback (Sb)* setting has no effect if the VSP is in Thermostat mode (see pg. 8).

When the VSP is initialized to run in the Setback mode, the EXT Input can be connected to an external clock or switch (see pg. 11). When the *EXT* to *COM* terminals are shorted, the VSP will reduce the temperature of the Secondary loop by the number of degrees selected. For instance, if the calculated Secondary loop water temperature were 130°F and the *Setback* were set to 10°, then if the EXT Input were shorted, the calculated water temperature would immediately change to 120°F.

A rule of thumb for adjusting the *Setback* with baseboard radiation is to decrease the water temperature 4° for each degree you wish to lower the ambient space temperatures. Therefore, if you wish the space temperatures to be 5° colder at night or when the building is not occupied, adjust the setback to 20°. With radiant heat, adjust the setback only 1 or 2 degrees for each degree you wish to lower the space temperature.

Warning: *The VSP is an operating control only. If excessive temperatures will cause system damage, separate limit controls must be installed.*

TROUBLESHOOTING

OPERATION

No Display: Check the 120VAC power into the Blue input wires. If power is present, turn the power to the VSP off and then back on.

Display shows or flashes OPn or SHt: Follow the procedure for SENSORS on next page.

OUTPUT light is OFF when heat is required: Check the *System Start* setting (see pg. 11). If the outdoor temperature sensor reading is above the setting, the VSP will not give heat. Also check if the VSP is in the Thermostat mode (see pg. 8). In the thermostat mode, the VSP will never give heat if terminals *EXT* and *COM* are not shorted together.

OUTPUT light is FLASHING when heat is required: The Output light flashes when the Secondary loop pump is running, but the Injection pump is off. This will occur when the VSP is satisfied with the temperature of the Secondary loop. See Insufficient Heat conditions below.

OUTPUT light is FLASHING or ON but Secondary loop pump is not running: Turn off the power to the Secondary loop pump. The VSP power must remain connected. Then disconnect all wires attached to the VSP Black wires. Test for continuity across the Black wires. If the wires are continuous, the VSP is working properly. Check the Secondary loop pump and its power.

OUTPUT light is ON but Injection pump is not running: If the Output light is on, the Injection pump should be running. However, if it is running at a very low speed, it may be hard to detect. It is possible to test the Injection pump output with a voltmeter which can read at least 120VAC.

Warning: *This test can only be performed with the Injection Pump power connected. The 120VAC power can cause severe personal injury. This test should only be performed by a qualified electrician or electrical contractor.*

Place the leads of the voltmeter across the power inputs of the Injection pump. At the highest speed, the AC Volt reading will be approximately 120VAC. As the speed is decreased, the reading will decrease down to approximately 10VAC. At the lower speeds, the reading may fluctuate by several Volts. This is considered to be normal.

OUTPUT light is OFF or FLASHING but Injection pump is running: When the Output light is off or flashing, the Injection pump should not be running. Check the wiring to see if any other control, a HOA switch, or other switch input is causing the pump to run. Turn the power off to the VSP. If the Injection pump continues to run, the VSP is not the cause of the pump running.

Insufficient Heat when the OUTPUT light is ON (Reset Operation): Check all the settings. If the Boiler Return sensor reading is below the *Low return* setting the VSP will halve the speed of the Injection pump until the boiler return temperatures recover. The temperature of the Secondary loop will never exceed the *High Supply* setting for any prolonged period of time. Check the *High Supply* is not set too low. Check if the VSP is in Setback and therefore running lower water temperatures. If none of these conditions are causing insufficient heat, then adjust the *reSet* ratio or *OFFset* (see pg. 12).

Insufficient Heat when the OUTPUT light is ON (Set Point Operation): Check all the settings. If the Boiler Return sensor reading is below the *Low return* setting (see pg. 13) the VSP will halve the speed of the Injection pump until the boiler return temperatures recover. Check if the VSP is in Setback and therefore running lower water temperatures. If neither of these conditions are causing insufficient heat, then adjust the *Set Point* (see pg. 13).

SENSORS

Each of the three VSP sensors are interchangeable and can be tested in the same way. If the Secondary loop sensor is open or shorted, the main display will show *OPn* or *SHt*. If either the Outdoor or the Boiler Return sensor is open or short, the display will first flash the code for the sensor (either *Air* or *rEt*) and then flash *OPn* or *SHt*. To test the sensor, remove the pair of sensor wires connected to the VSP terminals. Take a resistance reading across the detached wires going to the sensor. If the reading shows:

OPEN or a resistance greater than 100,000Ω: Check the wires going to the sensor. They may have been broken or become disconnected. If the wires are fine, check the resistance at the sensor itself. If the value is still open, the sensor has been damaged and needs to be replaced.

SHORT or a resistance less than 100Ω: Check the wires going to the sensor. They may have become shorted together in the run of the wire. If not, check the resistance at the sensor itself. If there still is no resistance, the sensor has been damaged and needs to be replaced.

Resistances from 200Ω to 100,000Ω: Find the temperature that corresponds to the resistance value on the chart. If the sensor appears to be outputting correctly, check that the wires were properly connected to the VSP. If they were, the VSP may have been damaged. If the sensor is not outputting correctly, take another reading at the sensor itself. If this is correct, the problem is in the wiring between the sensor and the VSP. Otherwise, the sensor has been damaged, and should be replaced.

TEMPERATURE (in degrees F)	VALUE (in Ohms)
0	42683
10	31215
20	23089
25	19939
30	17264
35	14985
40	13040
45	11374
50	9944
55	8714
60	7653
70	5941
80	4649
90	3667
100	2914
110	2332
120	1879
130	1524
140	1243
150	1021
160	842
170	699
180	583
190	489
200	412

Heat-Timer Controls for the HVAC/R & Plumbing Industry
Steam heating controls
Hydronic heating controls
Sequencing controls
Radiant heat controls
Digital set point controls
Precision tempering valves
VARIVALVE® air vents
2, 3, and 4 way motorized valves
Snow melt controls

Heat-Timer Corporation
20 New Dutch Lane
Fairfield, NJ 07004
Phone (973)575-4004 Fax (973)575-4052
<http://www.heat-timer.com>

HT #059220-00 REV A